

**INSTRUCTION MANUAL  
and  
WARRANTY REGISTRATION CARD**



**AC TRANSFER  
SWITCH**

**40Amp - 2 WAY  
ACTS2**



Copyright Latronics.

Version 7

11/09

Latronics P.O. Box 73 Moffat Beach Qld 4551 AUSTRALIA

Ph 61 7 5491 6988

web: [www.latronics.com](http://www.latronics.com)

email: [technical@latronics.com](mailto:technical@latronics.com)

**IMPORTANT !**

As an environmentally conscious customer you may choose to Register online at <http://latronics.com> . Once completed online, there is no need to post this registration card.

Serial No..... Date card returned.....



Please  
Affix  
Stamp  
Here

**LATRONICS  
P.O. BOX 73  
MOFFAT BEACH QLD 4551  
AUSTRALIA**

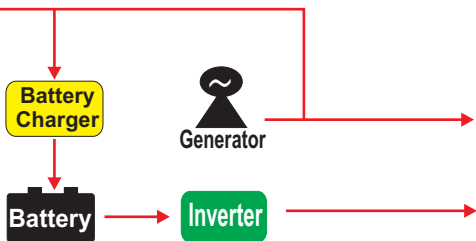
AC1 Indicator	
OFF	No Power present.
FAST FLASH	AC Voltage out of range.
SLOW FLASH	AC Voltage OK and Delay Timer ON 1 Flash per second.
ON	Power switched through to Output.

Indicators	
OFF	No Power present.
ON	Power Available

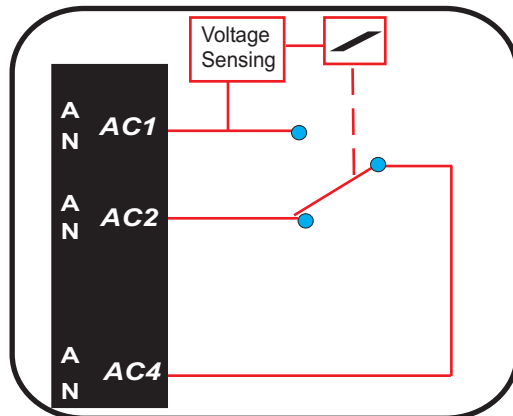


**Non Essential Circuit**  
e.g Hot Water  
Air Conditioning

**Suggested Wiring**



**Output Circuit**  
e.g GPO  
lights



**Special Features of AC1:** The AC1/ Generator input also has voltage sensing and time delays specifically designed for Generator use. The Generator input voltage must be within the voltage window and there is a time delay to ensure the Generator has warmed up and the voltage is stable before being switched to the output. The voltage is continuously monitored and in the unlikely event it becomes unstable and goes outside the limits, the output will be transferred to another source until the Generator voltage stabilises.

**Adjustable Settings or AC1 Input:**

Jumper 1	Jumper 2	Voltage Window	Time Delay
ON	ON	190V - 280V	30 second delay
ON	OFF	220V - 270V	30 second delay
OFF	ON	160V - 280V	5 second delay
OFF	OFF	200V - 270V	5 second delay

*Jumper located between top 2 indicator lamps on circuit board*

**Switching Priorities:** The Output is connected to the relevant AC Input according to the associated priority, i.e. If all both sources are present the output would be connected to AC1. Similarly if only AC2 and AC3 are present the output would be connected to AC2.

**Double Pole Switching:** All switching is Double Pole (switching active and neutral) and complies with Marine and Mobile wiring standards.

**Warning:** Due to dangerous voltages, it is important that all AC wiring complies with the relevant wiring standards. Any AC/Mains wiring must be carried out by qualified and licensed Personnel only.

**REGISTRATION CARD**

Your 2-year warranty is only valid if this card or online registration is completed within 3 months of the date of purchase.

Name:..... Post code:..... Serial No:.....

Date of Purchase:..... Supplier:.....

Email (Optional) ..... Comments:.....

~Where is your Transfer Switch being used?

- Solar Power  Camping/Caravan  Marine/Boat  Commercial  Backup Supply  Other

~Was your decision made because of?

- Features  Value for Money  Appearance  Recommendation  Warranty  Australian Made

~How do you rate the service from your supplier? Fair  Good  Very Good  Excellent

~Did your new Transfer Switch meet your expectations? Above Expectations  Yes  No